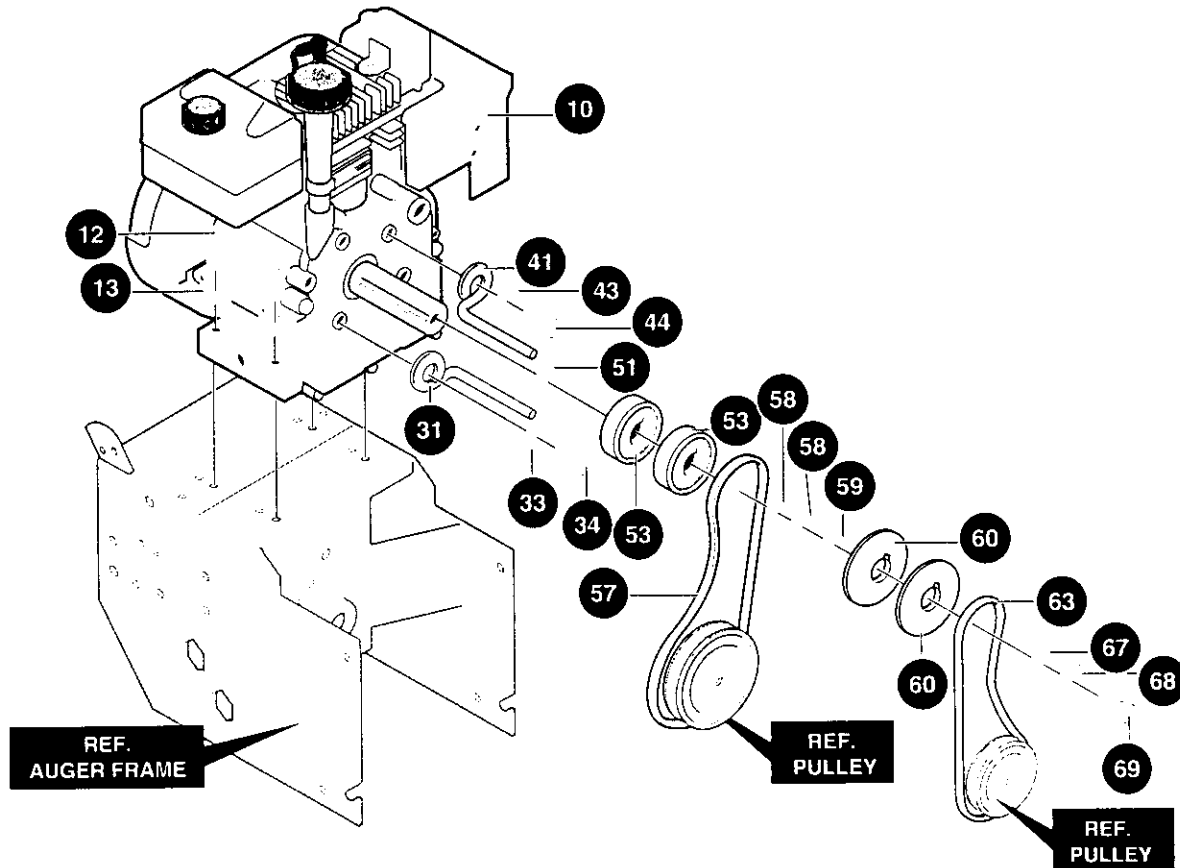


PROD.NO: 968 87 09-10
ENGINE: Tecumseh
HSSK 50-67317P

SPAREPARTS
107 26 52-64

ENGINE ASSEMBLY



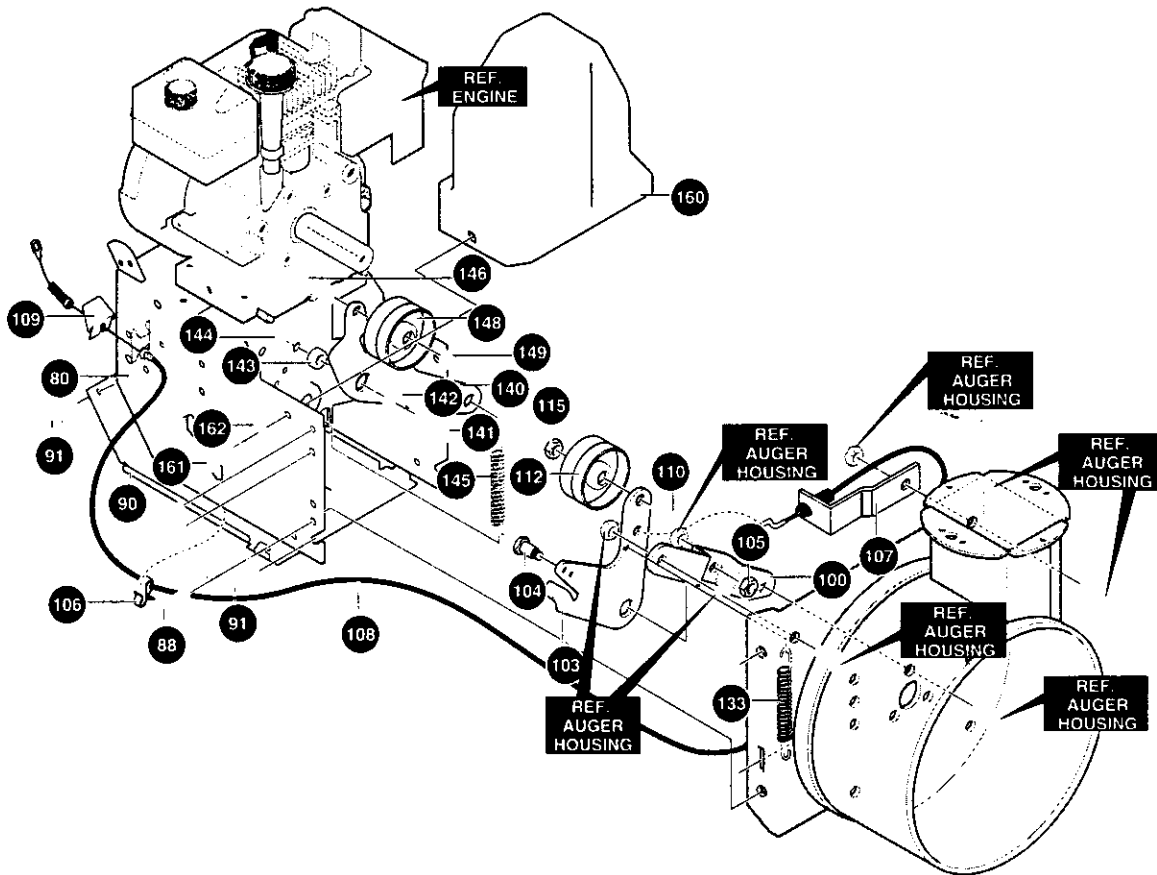
Note: Always use original equipment parts. Use of service/replacement parts other than original parts may void your warranty.

All unnumbered items are interchangeable with opposite side

REF NO.	PART NO.	PART NAME
10	-	ENGINE, 5HP (See Engine Manual)
12	533 00 95-53	SCREW, 5/16-18
13	810 04 05-00	WASHER, .328X.60X.09
31	533 00 39-49	GUIDE, ROD BELT RH
33	810 04 05-00	WASHER, .328X.60X.09
34	533 07 11-48	SCREW, 5/16-24X 1.00
41	533 00 39-49	GUIDE, ROD BELT RH
43	533 12 06-38	WASHER, .328X.60X.09
44	810 04 05-00	SCREW, 5/16-24X 1.00
51	533 07 11-48	WASHER, CRANKSHAFT
53	533 57 98-54	PULLEY, HALF
57	533 57 99-32	BELT, V 3L 33.13LG

REF NO.	PART NO.	PART NAME
58	533 07 38-40	FLATWASHER .765X1.12X.06
59	533 58 62-51	SPACER, SLEEVE
60	533 58 62-53	PULLEY, ENGINE
63	533 58 12-64	BELT, V 4L 35.23LG
67	533 05 06-77	WASHER, FLAT
68	533 07 10-63	WASHER, .393X.68X.10
69	533 07 10-15	SCREW, 3/8-24X1.00

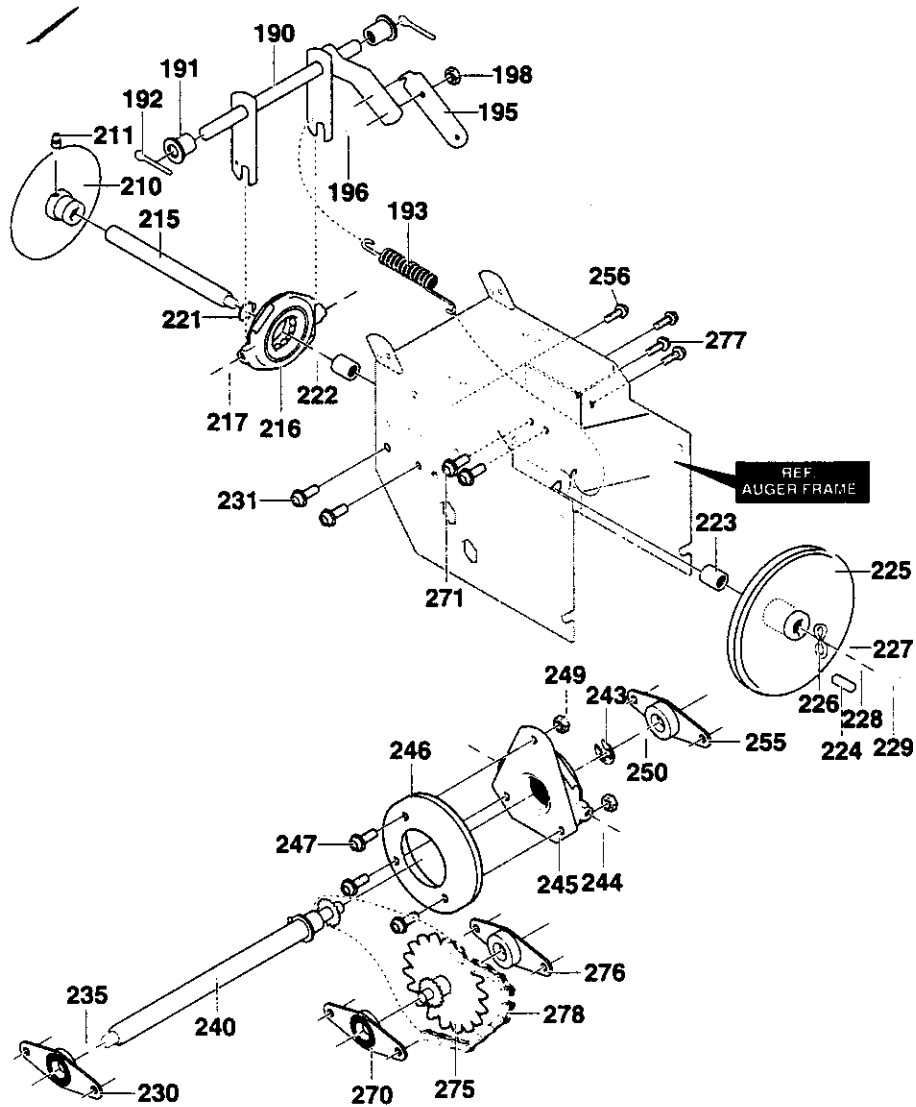
FRAME COMPONENTS ASSEMBLY



REF NO.	PART NO.	PART NAME
80	533 34 05-78	FRAME ASSY
88	533 07 09-82	SCREW, 5/16-18X .50
90	533 58 30-31	COVER, BOTTOM
91	533 07 09-78	SCREW, 1/4-20X .63
100	533 76 11-95	PLATE, CLUTCH ARM
103	533 76 11-98	ARM-CLUTCH CABLE
104	533 71 02-00	BOLT, SH. 3/8-16
105	533 04 15-29	NUT, 3/8-16 HXCTLKJM
106	533 34 06-82	CLIP, CABLE TINN
107	533 34 05-79	BRKT, CABLE MOUNT
108	533 76 11-53	CABLE, AUGER
109	533 34 08-69	SHIELD, CABLE GUARD
110	533 18 01-24	SCREW, 3/8-16X1.25
112	533 31 38-43	PULLEY, IDLER
115	533 04 15-29	NUT, 3/8-16
133	533 31 38-54	SPRING, IDLER

REF NO.	PART NO.	PART NAME
140	533 57 98-72	LEVER, IDLER ARM TRACTION
141	515 47 09-83	SCREW, 5/16-18X .75
142	533 07 37-95	FLATWASHER, .328X1.25X.075
143	533 57 98-65	BUSHING, IDLER LEVER
144	533 07 10-38	NUT, 5/16-18 HEXNYL
145	533 31 38-54	IDLER SPRING
146	533 18 01-24	SCREW, 3/8-16X1.25
148	533 31 38-43	PULLEY, IDLER
149	533 04 15-29	NUT, 3/8-16
160	533 58 07-72	COVER, BELT
161	533 07 09-78	SCREW, 1/4-20X .63
162	533 07 10-67	FLATWASHER, .281X .63X.065

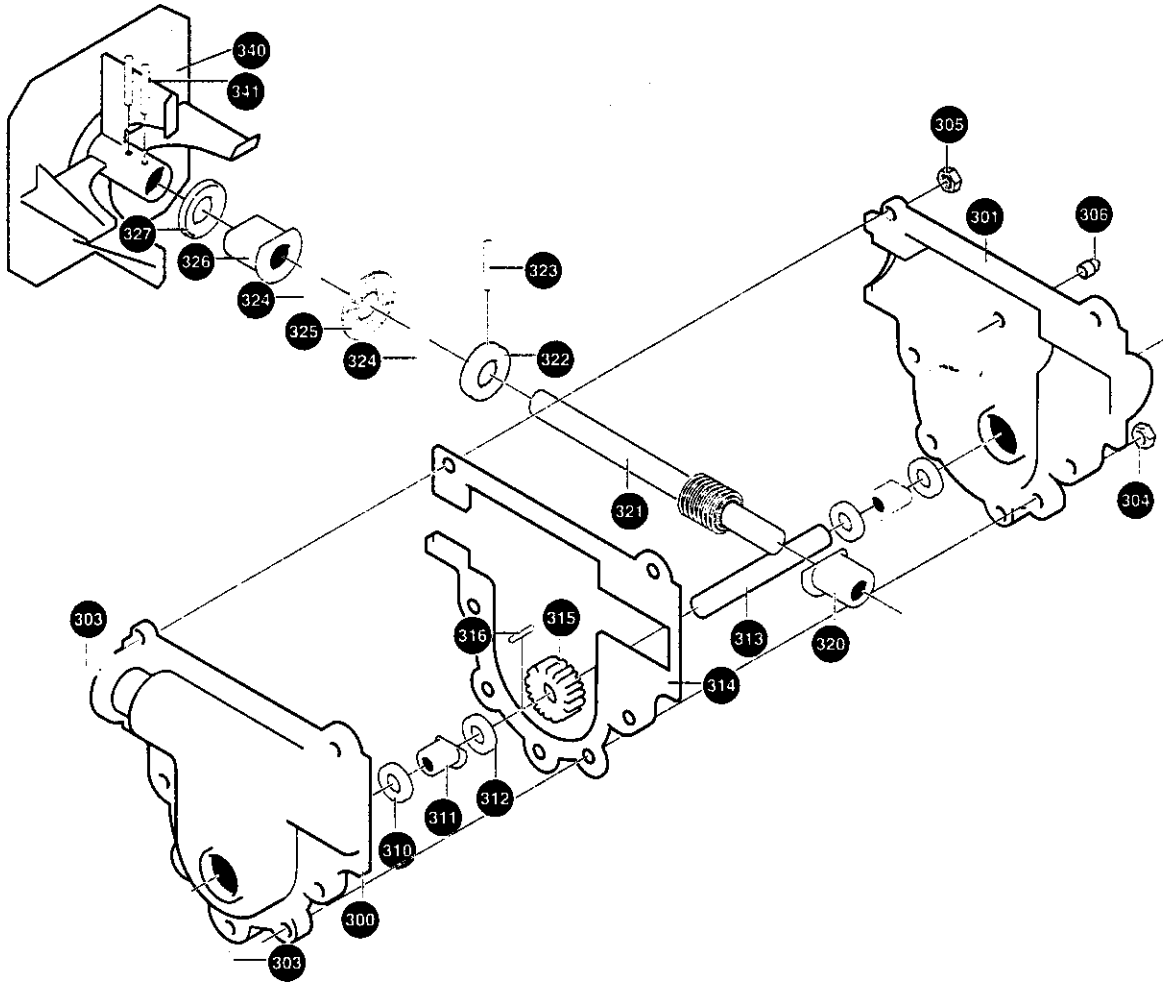
DRIVE COMPONENTS ASSEMBLY



REF NO.	PART NO.	PART NAME
190	533 57 99-41	LEVER, ASSY TRACTION
191	533 31 38-53	BEARING, FLANGE
192	533 13 71-85	PIN, COTTER
193	533 31 39-19	SPRING, RETURN
195	533 57 99-37	LEVER, SPRING
196	533 01 18-71	SCREW, 1/4-20X .63
198	533 07 78-26	NUT, 1/4-20 REGHEXCTRLK
210	533 58 31-63	DISC, ASSY
211	533 58 32-06	ZERK, GREASE
215	533 58 31-55	SHAFT, HEX TRACTION
216	533 08 55-01	BEARING, TRUNION
217	533 07 10-74	FLATWASHER, .53 X1.00X.063
221	533 07 38-11	RING, RETEX
222	533 58 09-69	FLATWASHER, .680X1.12X.060
223	533 04 38-46	BEARING, BALL
224	533 58 09-70	KEY, SQUARE
225	533 58 09-61	PULLEY, V3L 6.50X .56
226	533 58 09-65	WASHER, WAVE
227	533 57 89-62	FLATWASHER, .281X1.00X.063
228	533 12 03-80	WASHER, .263X.49X.07
229	533 18 00-20	SCREW, 1/4-20X .75 HHC

REF NO.	PART NO.	PART NAME
230	533 33 41-63	BEARING & RETAINER
231	533 07 09-82	SCREW, 5/16-18X .50
235	533 57 98-58	WASHER, .502X .75X.0605
240	533 57 98-97	HEX, ASSY#40-8T
243	533 00 04-62	RING, RETEX
244	533 43 56-48	FLATWASHER, .53 X1.00X.063
245	533 33 70-29	BEARING, TRUNION
246	533 31 38-83	WHEEL, ASSY FRICTION
247	533 01 18-71	SCREW, 1/4-20X .63
249	533 07 10-34	NUT, 1/4-20 HEXKEPS
250	533 57 98-58	WASHER, .502X .75X.0605
255	533 33 41-63	BEARING & RETAINER
256	533 07 09-82	SCREW, 5/16-18X .50
270	533 33 41-63	BEARING & RETAINER
271	533 07 09-82	SCREW, 5/16-18X .50
275	533 57 98-93	JACK, ASSY#41-36T&8T
276	533 33 41-63	BEARING & RETAINER
277	533 07 09-82	SCREW, 5/16-18X .50
278	533 57 98-67	CHAIN, ROLLER #42 X 40P

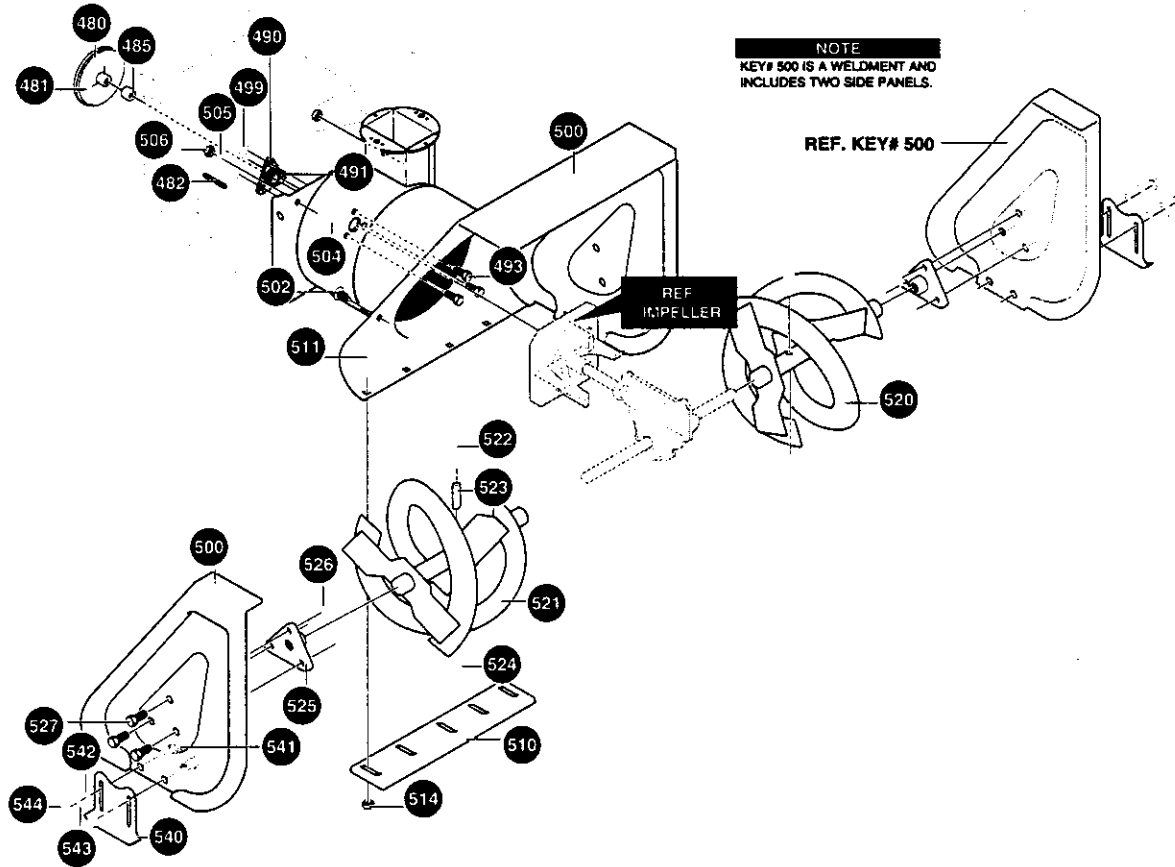
GEAR CASE ASSEMBLY



REF NO.	PART NO.	PART NAME
300	515 41 05-77	CASE, GEAR RH
301	515 41 05-76	CASE, GEAR LH
303	533 71 00-25	SCREW, 1/4-20X.75
304	533 04 69-31	NUT, 1/4-20 WDFL
305	533 07 10-34	NUT, 1/4-20 HEXKEPS
306	515 40 93-44	SCREW, 3/8-16X.50
310	515 40 95-66	SEAL, OIL
311	533 05 03-04	BEARING, FLANGE
312	533 04 82-75	WASHER, FLAT
313	533 34 02-86	SHAFT, AUGER
314	533 05 12-79	GASKET, GEAR CASE
315	533 05 14-05	WORM GEAR
316	533 43 17-87	KEY, WDRF #61
320	533 05 02-21	BEARING, FLANGE
321	533 58 31-25	SHAFT, WORM IMP

REF NO.	PART NO.	PART NAME
322	533 58 02-95	COLLAR, THRUST
323	533 45 45-65	PIN, SPRING
324	533 04 82-75	WASHER, FLAT
325	533 31 38-28	BEARING, ROLL
326	533 05 03-04	BEARING, FLANGE
327	515 40 95-66	SEAL, OIL
340	533 76 01-94	IMPELLER, ASSY
341	533 45 45-65	PIN, SPRING

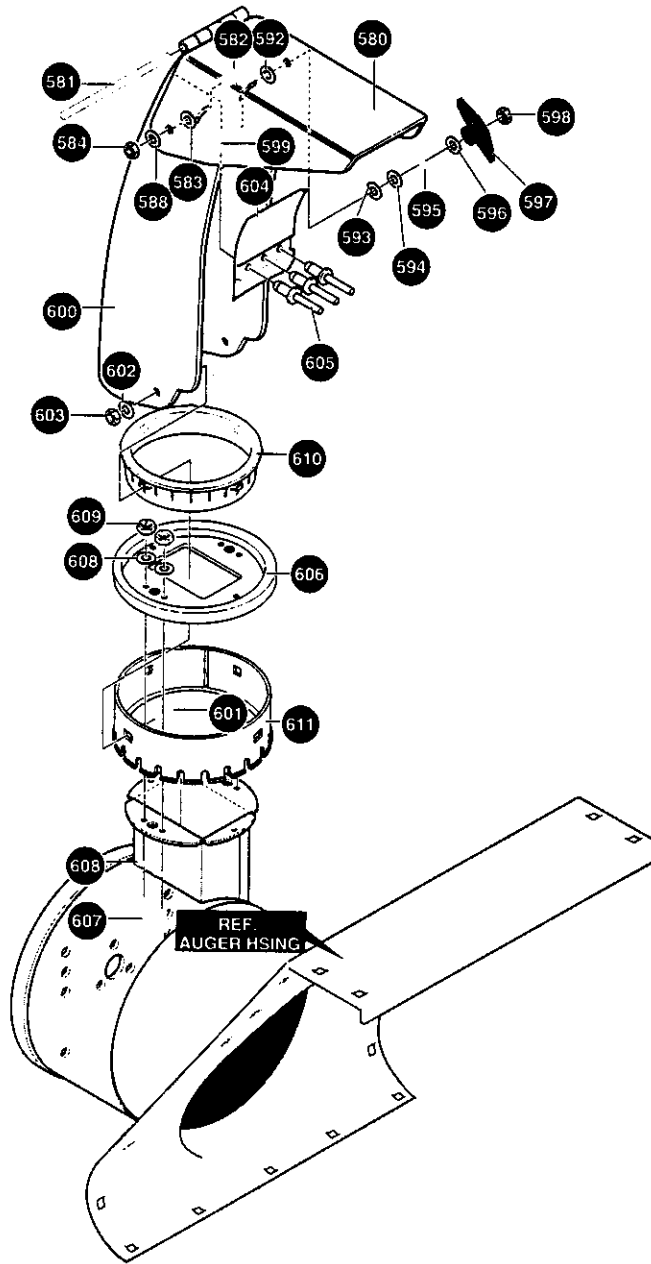
AUGER HOUSING ASSEMBLY



REF NO.	PART NO.	PART NAME
480	533 58 31-24	PULLEY, V4L
481	533 57 74-00	SCREW, 5/16-18X.63
482	533 07 13-71	KEY, SQUARE
485	533 33 45-14	SPACER, SLEEVE
490	533 58 29-60	RETAINER, BALL
491	533 04 38-46	BEARING, BALL
493	533 18 00-77	SCREW, 5/16-18X .75
499	873 68 05-00	NUT, 5/16-18
500	533 33 98-81	HOUSING, ASSY
502	533 30 92-35	RATCHET FASTENER
504	533 07 10-03	SCREW, 3/8-16X .75 HHC
505	533 12 03-82	WASHER, REGSPTLK
506	533 00 14-99	NUT, 3/8-16 REGHXCTRLK
510	533 58 13-97	SCRAPER BLADE
511	533 00 38-09	BOLT, 1/4-20X.75 CARR.
514	533 07 10-34	NUT, WHIZ LOCK

REF NO.	PART NO.	PART NAME
520	533 34 05-18	AUGER, ASSY LH
521	533 34 05-23	AUGER, ASSY RH
522	533 00 95-24	SCREW, 1/4-20X1.75
523	533 00 39-43	SPACER, SLEEVE
524	533 07 38-26	NUT, 1/4-20 REGHXCTRLK
525	515 40 95-17	FLANGE BEARING
526	515 40 86-19	NUT, 5/16-18 TOPLOCK
527	515 40 93-57	SCREW, 5/16-18X .75
540	533 78 00-61	SKID, HEIGHT ADJUST
541	533 34 07-20	BOLT, 5/16-18X .75
542	734 11 62-71	FLATWASHER .344X .69X.065
543	810 04 05-00	WASHER, .328X.60X.09
544	873 68 05-00	NUT, 5/16-18 REGHEX

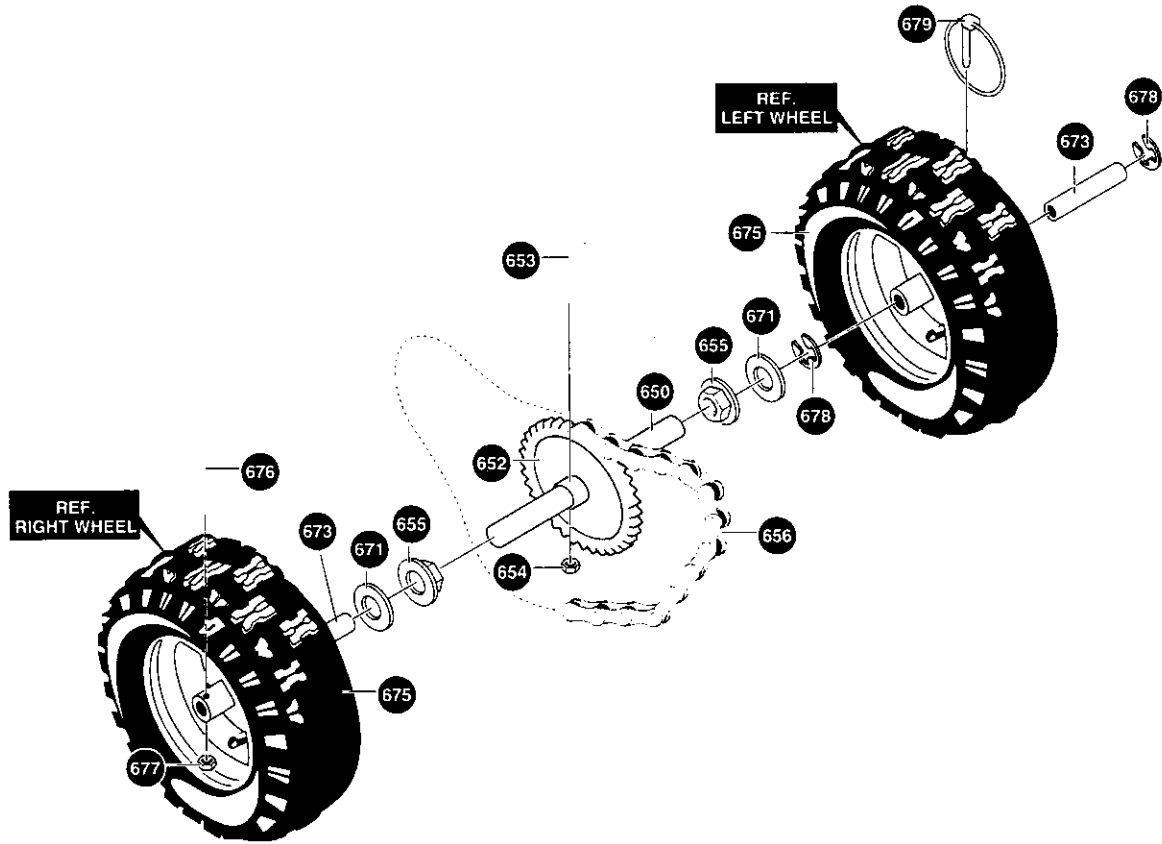
DISCHARGE CHUTE ASSEMBLY



REF NO.	PART NO.	PART NAME
580	533 01 17-80	CHUTE, UPPER
581	533 30 52-16	PIN, HINGE
582	872 14 06-06	BOLT, 5/16-18X .75
583	533 01 20-21	PLASTIC WASHER
584	533 07 10-38	NUT, 5/16-18 NYLON
588	533 00 67-11	PLASTIC WASHER
592	533 01 20-21	PLASTIC WASHER
593	533 00 67-11	PLASTIC WASHER
594	533 12 03-93	WASHER, FLAT
595	533 12 06-38	WASHER, SPLIT LOCK
596	533 12 03-93	WASHER, FLAT
597	533 01 35-27	KNOB, T
598	533 12 03-76	NUT, 5/16-18 REGHEX
599	533 00 33-16	BOLT 5/16-18X1.00

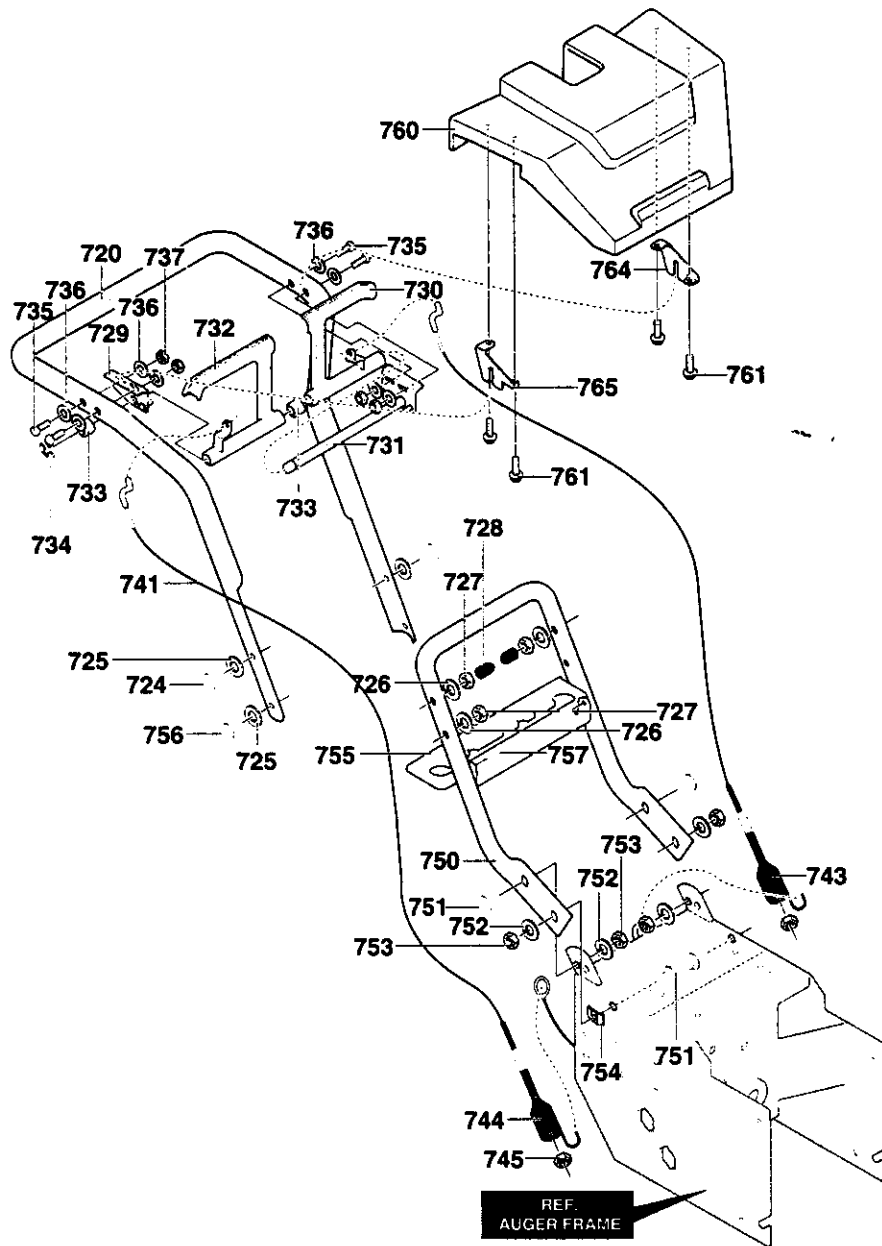
REF NO.	PART NO.	PART NAME
600	533 76 09-91	CHUTE, LOWER
601	533 58 62-80	BOLT, 5/16-18X1.00
602	533 12 03-93	FLATWASHER .344X .69X.065
603	53307 10-38	NUT, 5/16-18
604	533 76 02-68	FLAT, CHUTE
605	533 76 09-87	POP RIVET
606	533 58 52-14	COLLAR, CHUTE
607	533 18 00-20	SCREW, 1/4-20X .75
608	533 12 03-92	FLATWASHER .281X .63X.065
609	533 07 38-26	NUT, 1/4-20
610	533 33 72-27	RETAINER, RING INNER
611	533 58 51-93	RETAINER, RING OUTER

WHEELS ASSEMBLY



REF NO.	PART NO.	PART NAME
650	533 58 08-83	SHAFT, AXLE
652	533 58 30-12	SPRKT & HUB
653	533 07 38-39	SCREW, 1/4-20X2.25
654	533 07 10-35	NUT, 1/4-20
655	533 58 17-30	BRNG, FL
656	533 57 98-67	CHAIN, ROLLER
671	533 07 38-40	FLATWASHER .765X1.12X.06
673	533 58 55-91	BUSHING, WHEEL
675	533 58 03-66	TIRE & RIM
676	533 57 70-15	SCREW, 1/4-20X1.75 HH
677	533 07 38-26	NUT, 1/4-20 REGHXCTRLK
678	533 00 02-39	RING, RET
679	533 07 38-42	PIN, KLIK .25 X 1.38 DIA

HANDLE ASSEMBLY

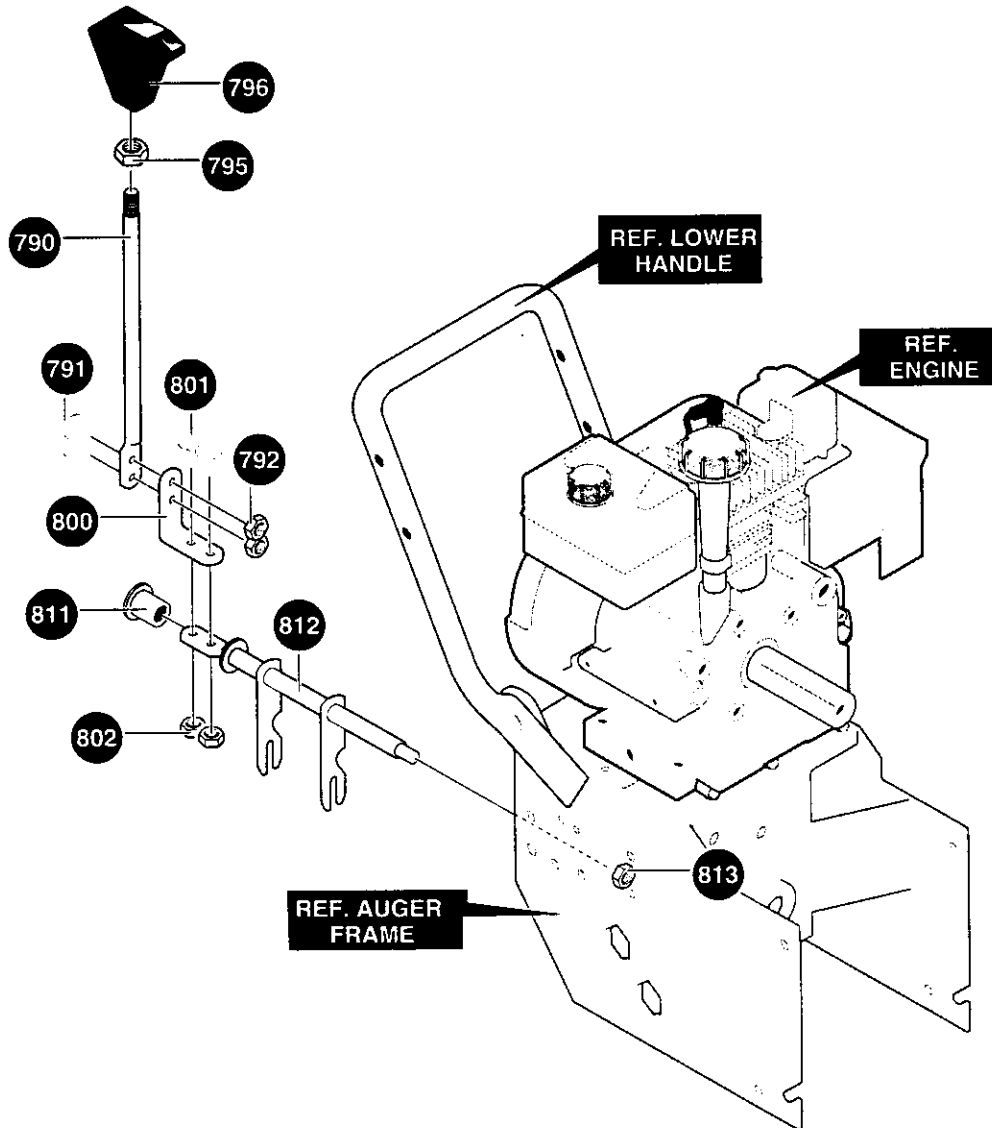


REF. NO.	PART NO.	PART NAME
720	533 00 95-52	HANDLE, UPPER
724	533 01 12-34	SCREW, 5/16-18X2.75
725	533 12 03-93	WASHER, FLAT
726	533 12 06-38	WASHER, .328X.60X.09
727	533 12 03-76	NUT, 5/16-18 REGHEX
728	533 01 12-61	STOP, RED PLASTIC
729	515 41 10-38	ASSY, BRACKET LH
730	533 58 03-69	LEVER, CLUTCH HANDL LH
731	515 41 10-37	ASSY, BRACKET RH
732	533 58 03-70	LEVER, CLUTCH HANDLE RH
733	515 41 16-22	SPACER
734	515 45 16-75	E RING
735	515 47 09-89	SCREW, 5/16-18 X 1.50
736	533 12 03-93	WASHER, FLAT .344X.69 X.065
737	533 07 10-38	NUT, 5/16-18 NYLON
741	515 40 15-79	CABLE, CLUTCH

REF. NO.	PART NO.	PART NAME
743	533 57 98-69	SPRING, TENSION
744	515 40 16-73	SPRING, AUGER CLUTCH
745	533 07 38-26	NUT, 1/4-20 REGHXCTRLK
750	533 33 95-41	HANDLE, LOWER
751	533 18 00-79	SCREW, 5/16-18X1.00
752	533 12 06-38	WASHER
753	533 12 03-76	NUT, 5/16-18 REGHEX
754	533 30 94-36	PUSHNUT, 5/16
755	533 33 74-07	BRACKET, GEAR SEL.
756	533 18 00-87	SCREW, 5/16-18X2.00
757	533 30 03-03	SCREW, PLASTIC
760	533 58 55-25	PANEL, CONTROL
761	515 40 70-47	BOLT, 10-16 X 1/2
764	515 41 20-06	BRACKET, PANEL SUPT LH
765	515 41 20-07	BRACKET, PANEL SUPT RH

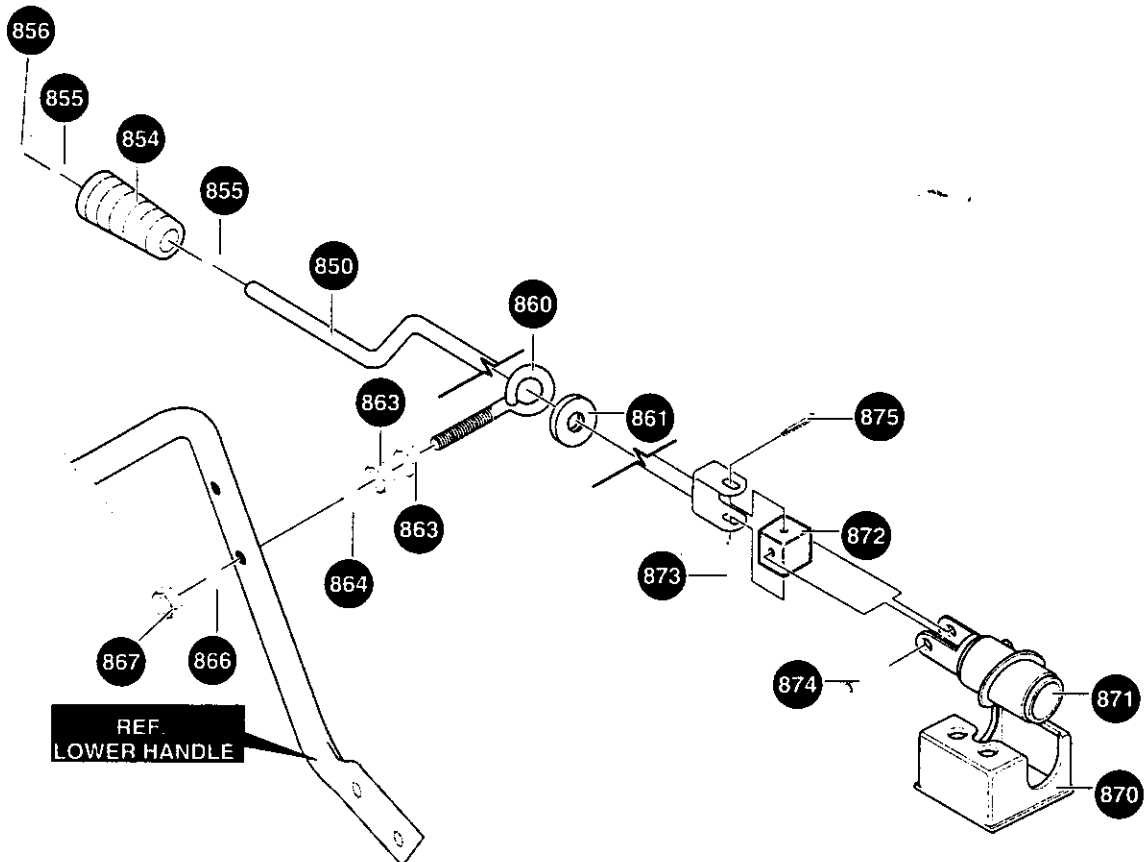
342914C

SHIFT YOKE ASSEMBLY



REF NO.	PART NO.	PART NAME
790	533 58 16-31	ROD, SHIFT
791	533 18 00-20	SCREW, 1/4-20X.75
792	533 07 38-26	NUT, 1/4-20 RGHXCTRLK
795	533 47 10-52	NUT, 1/2-13
796	533 30 44-38	KNOB
800	533 76 05-64	LEVER, SPRING
801	533 18 00-20	SCREW, 1/4-20X.75
802	533 07 38-26	NUT, 1/4-20 RGHXCTRLK
811	533 57 99-44	BEARING, FLANGE
812	533 58 17-95	ROD, ASSY YOKE
813	533 00 14-99	NUT, 3/8-16 RGHXCTRLK

CHUTE CRANK ASSEMBLY



REF NO.	PART NO.	PART NAME
850	533 58 54-26	CRANK, ASSY
854	533 31 38-49	KNOB, SLEEVE
855	533 12 03-94	WASHER, FLAT .406X .81X .065
856	533 07 36-64	NUT, PUSH ON 3/8"
860	533 58 16-18	BOLT, EYE
861	533 00 01-48	GROMMET, EYE BOLT
863	533 12 48-29	NUT, 3/8-16
864	533 12 03-94	WASHER, FLAT .406X .81X .065
866	533 12 03-94	WASHER, FLAT .406X .81X .065

REF NO.	PART NO.	PART NAME
867	533 07 10-46	NUT, 3/8-16
870	533 58 51-95	BRKT, WORM
871	533 58 51-98	WORM, GEAR CHUTE
872	533 57 80-63	BLOCK, UNIV PIV
873	533 57 83-09	PIN, CLEVIS
874	533 57 80-60	PIN, UNIV JOINT
875	533 57 94-93	PIN, COTTER